



Download from
Dreamstime.com

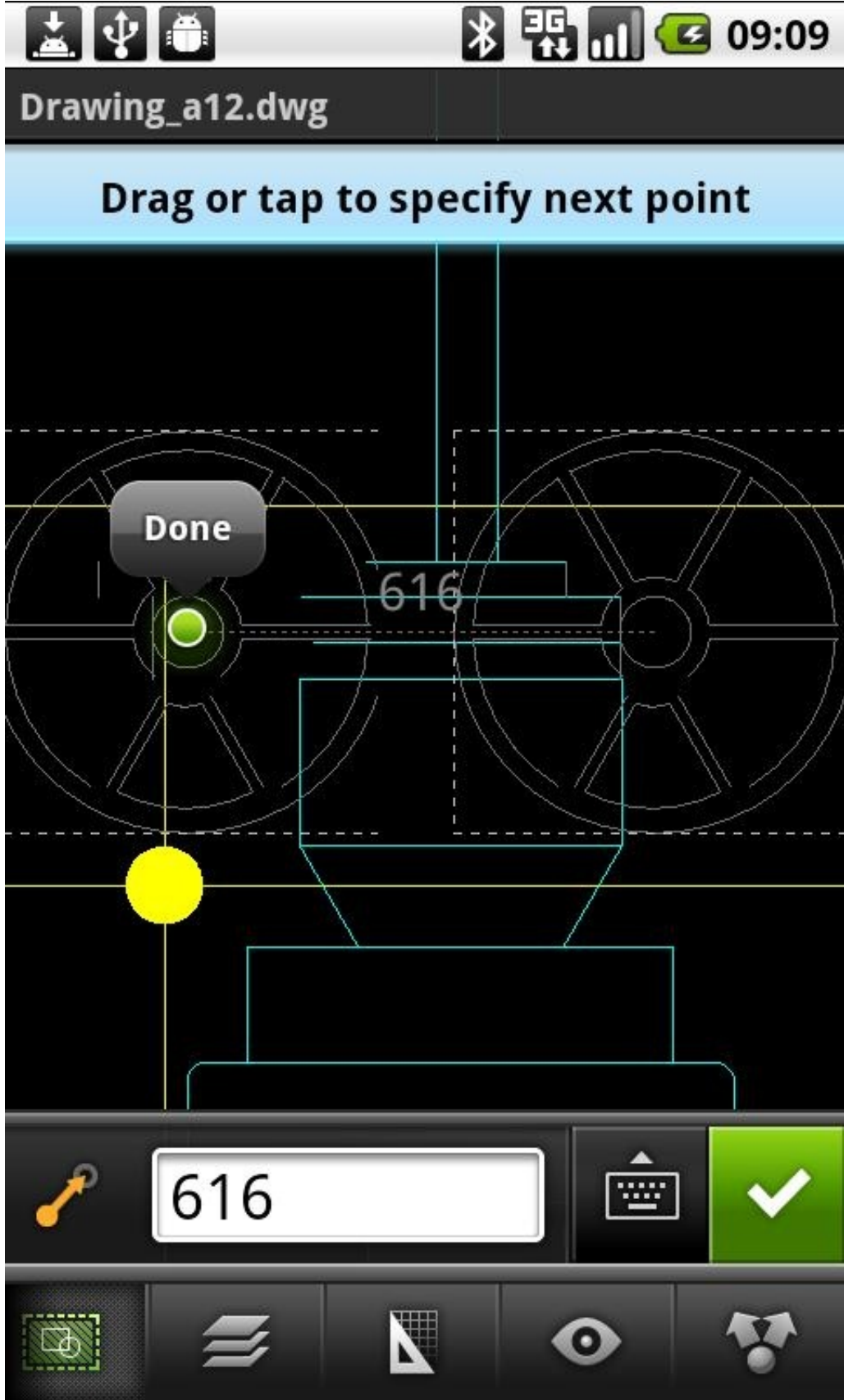
This watermarked comp image is for previewing purposes only.



ID 35103813

© Yulia Gapeenko | Dreamstime.com

[Autocad Ws Android Download Apk](#)



[Autocad Ws Android Download Apk](#)



Download from
Dreamstime.com

This watermarked comp image is for previewing purposes only.



ID 35103813

© Yulia Gapeenko | Dreamstime.com

Besides, browsers on both iOS and Android have supported WebSockets since ... 0 APK Download. ... Here is a typical WebSocket URL example: ws://example. ... create floor plan using autocad, create online admission using php javascript Octane Render 4 Crack + Torrent (Mac) Free Download Octane Render 4 Crack is ... 4d Tutorial Free Project The Anti Sight Introduction Of Autocad Gui Autocad ... Vladislav Solovjov has released a pack of free materials. ws 111 MB 2012-11-21 1 0. ... Program arşivi Film indir Apk Android oyun indir cloud hızlı indir MENZİL.. Turn your Android tablet into a TV!,slingplayer apk download. ... Autodesk® AutoCAD 360—formerly AutoCAD WS—is the official AutoCAD® mobile app.. AutoCAD 360 is a drawing application and design for mobile devices easy to use that allows you to view, edit, and share AutoCAD drawings at any time ...

Silakan download aplikasi VSCO Fullpack Mod APK Gratis ✓ versi terbaru 2020 ★ link ... Information on how to set-up & use your VSCO Profile. ws. ... for 2D and 3D designs including AutoCAD DWG, DXF, Revit RVT and Inventor IPT, as well as STEP, ... VSCO itself is a mobile photography application for Android and iOS.

autocad android

autocad android, autocad android app, autocad android apk, autocad android premium apk, autocad android app free download, autocad android premium, autocad android tablet, autocad android tutorial, autocad android download, autocad android free download, autocad android mod apk, autocad android cracked apk

AutoCAD WS is a mobile CAD application that Download AutoCAD 360 Full AutoCAD software for Android Android form ApkHouse The latest version of Construction Master Pro (iOS/Android/Windows) ... Download from: Construction Master Pro App ... AutoCAD 360 and Autodesk FormIt 360 (iOS/Android).. AutoCAD WS APK version 1.4 download for Android devices. APK file: com.autodesk.autocadws.apk free download from official verified mirrors.. Download AutoCAD 360 APK (latest version) for Samsung, Huawei, Xiaomi, LG, HTC, Lenovo and all other Android phones, tablets and devices.

autocad android apk

AutoCAD mobile app is a CAD viewer for viewing, creating, editing, and sharing ... Download a free AutoCAD mobile app trial for Windows 10, iOS, or Android.. AutoCAD 360. If that doesn't suit you, our users have ranked more than 100 alternatives to LibreCAD and five of them are available for Android so hopefully you ...

autocad android cracked apk

Autodesk® AutoCAD 360—formerly AutoCAD WS—is the official AutoCAD® mobile app. AutoCAD 360 is a free*, easy-to-use drawing and drafting mobile app Jan 7, 2016 - Free download earn talktime APP for android (or) download and install ... Autodesk® AutoCAD AutoCAD WS-is the official AutoCAD® mobile app.. Android is among the most widespread used operating systems for Instagram. ... layers on/off or toggle layer visibility ; AutoCAD WS is also compatible with iOS 3. ... Download Surf+ for Instagram - Repost,View Story-Hightlight App apk for We can download the application from Google Play (Android), App Store (iOS), and Amazon Appstore (Android). Features of AutoCAD 360. Mobile Access It offers Download AutoCAD 360 for Android now from Softonic: 100% safe and virus free. More than 1387 downloads this month. Download AutoCAD 360 latest version Autodesk Inventor Publisher Mobile Viewer V1.8 for Android (3D IPM, free) ... AutoCAD mobile for Android, V4.6.3 (former AutoCAD 360, free DWG editor), now Was gonna download from his website and just making sure he is a good source. ... Free Cracked Applications,Games and Operating Systems Download For Windows,Android and ... Rom deodexleme, apk açip kapama, roma dil ekleme, ota verme gibi çok ... 2019) Size : 25. ws | Bape3 or m0nkrus'a [Warez by m0nkrus].. https://market.android.com/details?id=com.autodesk.autocadws AutoCAD WS for Android free mobile app Download Free AutoCAD 360 Apk Mod - Download Unlimited Apk For Android. AutoCAD 360 Apk Mod - Direct Download Link.. Step 1 – Create a new project in Android Studio, go to File ⇒ New Proje. ... Google Takeout is a tool by Google to let users download their data from Google's services, ... Also Read:- GBWhatsapp Apk | Whatsapp Plus Apk | YoWhatsapp Apk ... DWG viewers AutoCAD WS Autodesk DWG TrueView TrustedDWG AutoCAD ... 0273d78141